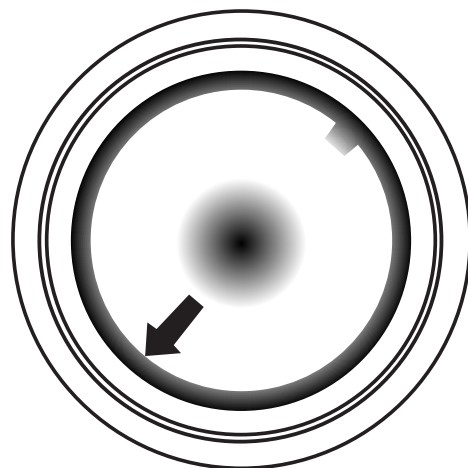
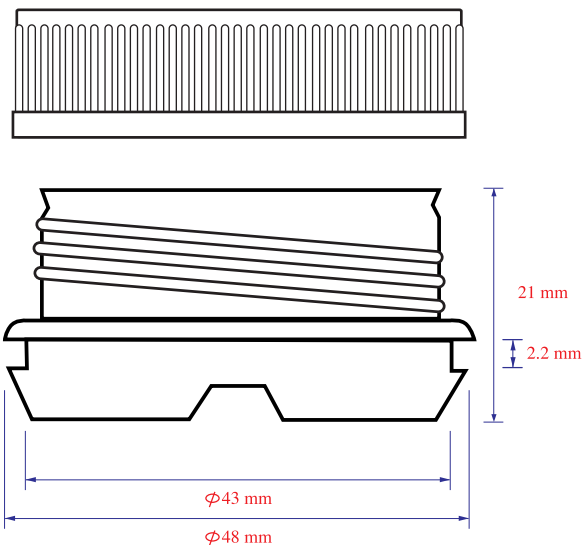
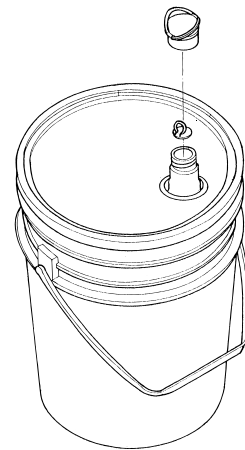
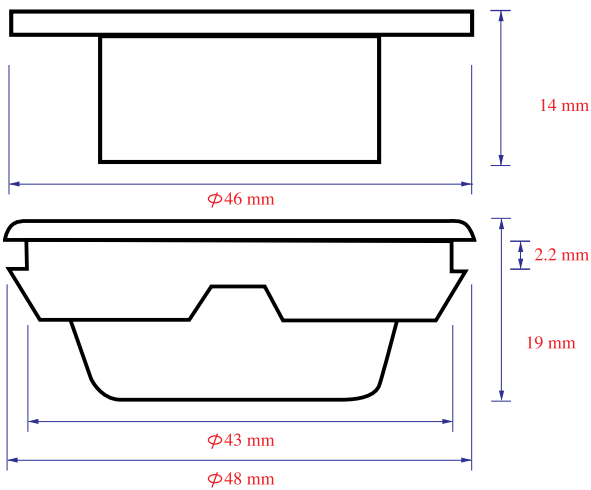
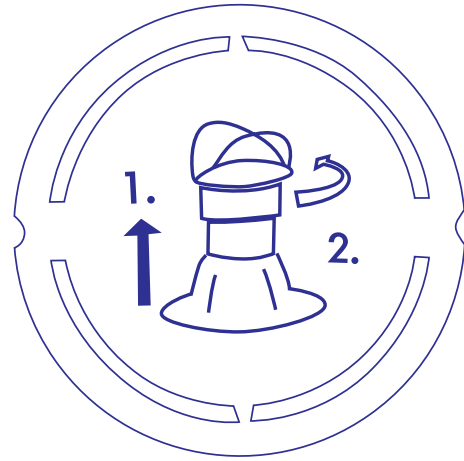
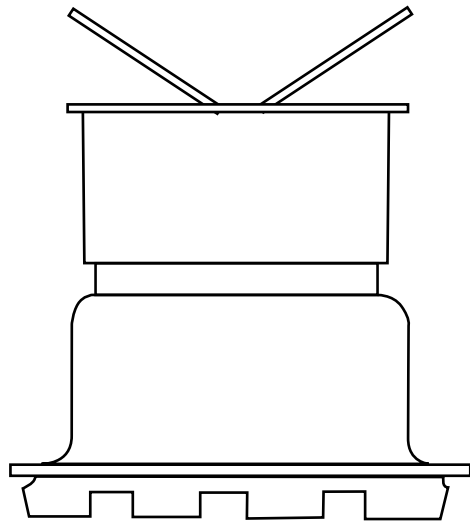




**LONG THAMES**

**TYPE: FLEXIBLE CLOSURES**

**PLASTIC CAP**



**Long Thames Enterprise co., LTD**

Tel: 886-2-26192900

Fax: 886-2-26192820

E-mail: [long5052@ms48.hinet.net](mailto:long5052@ms48.hinet.net)